

# IT-SSG8POE-WL

With 8 high power LEDs for a total power consumption of 8W, beam angle 30° to 60°, beam distance 1m to 30m, the IT-SSG8POE-WL is a White Light Illuminator with a high service of life.

- Luminous flux 700lm.
- Color temperature 3000-3500K/5500-6000K.
- 50,000 hours lifetime LEDs.
- Extended working temperature range -40 to 60°C.
- 1-2 years warranty.



## Product Family

The IT-SSG8POE-WL is part of the high-power Vandal Resistant White Light Illuminators series that is the quality LED light source solution for night-time illumination, providing high-power light for CCTV and IP cameras to enhance night-time visual performance with colorful images.

## Product Features

- PoE (Power over Ethernet) powered.
- Independent innovation of high efficiency power drive schemes.
- High thermal conductivity aluminum with Vandalproof polycarbonate panel (PC).
- Energy saving technology.
- IP66 waterproof and dustproof.
- Manual power control.
- Manual Light operated sensor control.
- Easy installation.

## Basic Functions

- *Improves performance of the weak light camera and enhances the monitoring picture effect.*
- *Low equipment cost.*
- *Reduce cost of installing and wiring.*
- *Indoor and outdoor use.*

## Technical Specifications

**LED type:** 8 pieces high power white light LEDs

**Luminous flux:** 700lm

**Color temperature:** 3000-3500K/5500-6000K

**Beam angle:** 30° to 60°

**Beam distance:** 1 to 30m

**Bracket:** Wall mount bracket

**Cable:** IP66 RJ45 jack with Cat.5e 50cm

**Working voltage:** PoE IEEE 802.3af

**Power consumption:** 8W

**Day & Night switch:** With CDS sensor

**Working temperatures:** -40 to 60°C

**Protection level:** IP66

**Color:** White/Black

**Panel:** Vandal-resistant panel

**Housing:** Aluminum die-casting housing

**Net weight:** 0.52 kg

**Gross weight:** 0.6 kg

**Dimensions:** 145\*135\*95mm

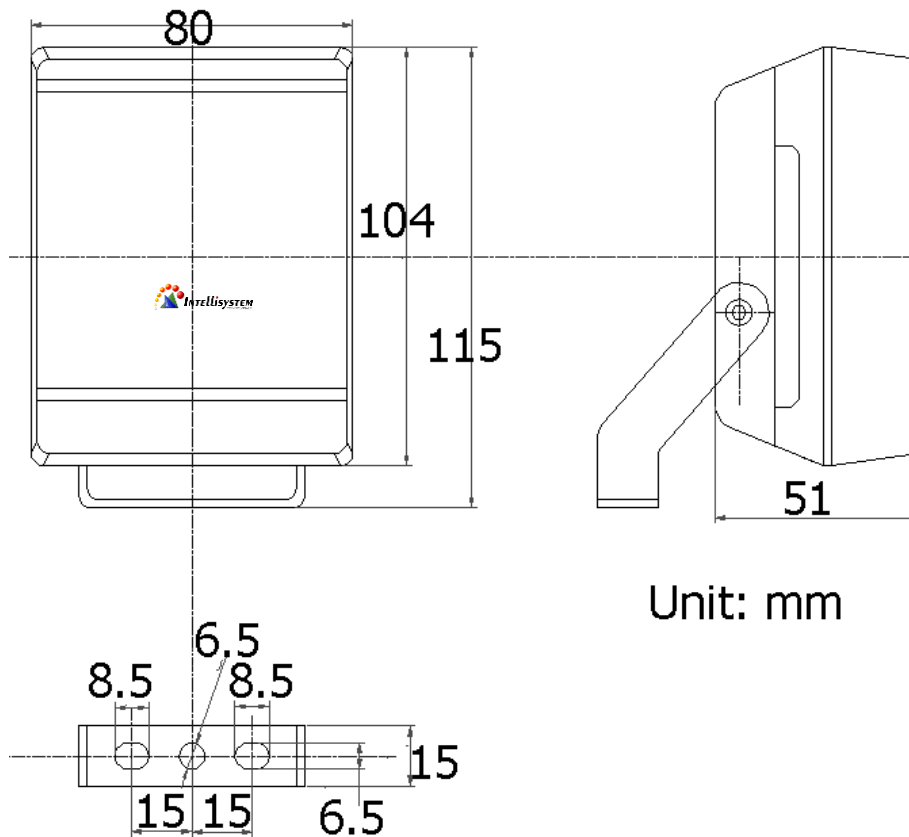
## Models for Selection

Model	Beam angle	Viewing distance
IT-SSG8POE-WL-30-BC-W	30°	1m - 30m
IT-SSG8POE-WL-45-BC-W	45°	1m - 25m
IT-SSG8POE-WL-60-BC-W	60°	1m - 15m

*\*Viewing distance is tested by Sony 1/3 CCD Camera with 0.01 LUX.*

To achieve the distance needed, please pay attention to your camera specifications and lens before purchase. It is normal phenomenon that distance may vary due to different cameras and lens.

## Mechanical Drawings



## Viewing Picture at Night



With white light



Without white light